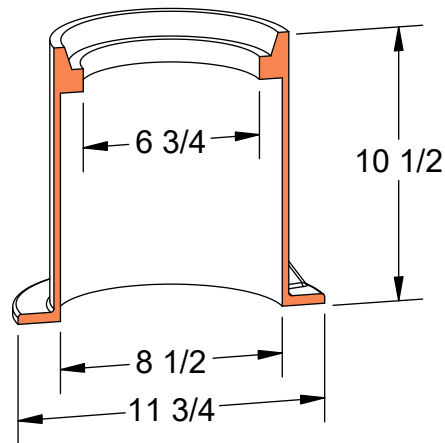
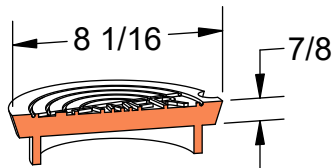
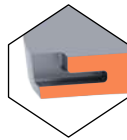
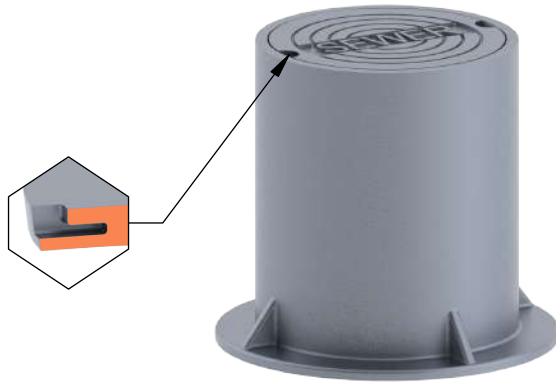


PRODUCT #18111

Frame & Cover for 6" Cleanout



Available Markings

- Cleanout
- Plain
- Sewer
- Water



Heavy
Duty



ASTM
A48



Gray Iron
Class 35B