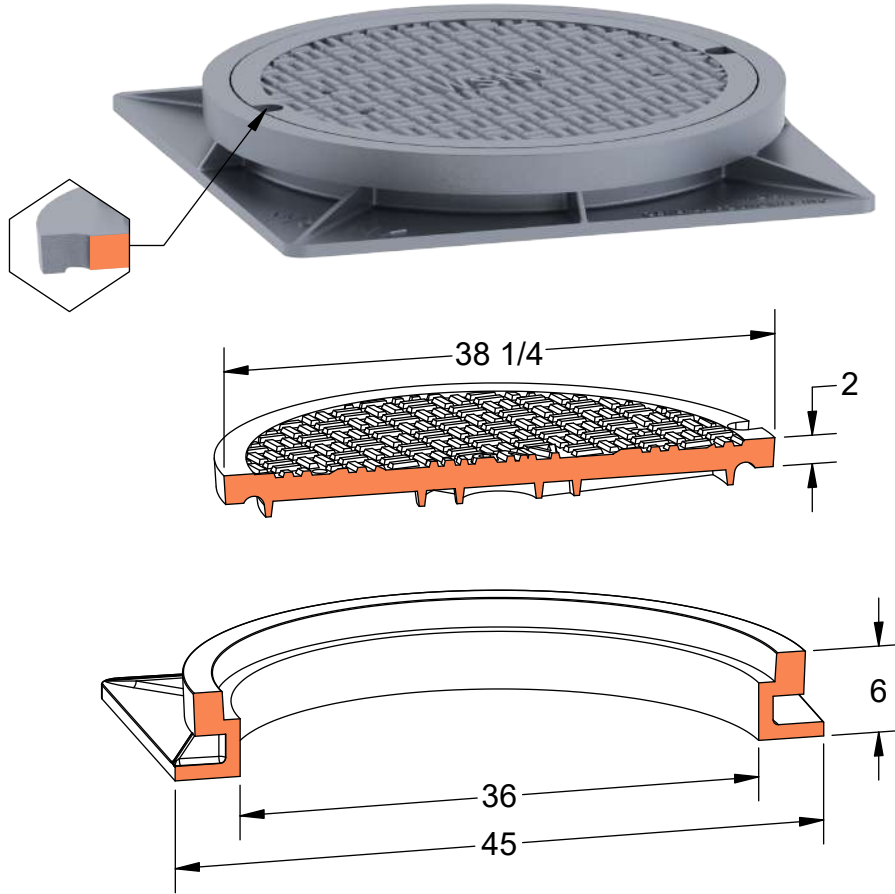


PRODUCT #13861

36" x 6" Access Frame & Cover



Available Markings

WSNY

Notes

Conforms to NYCDEP STD. DWG 18583-Z



Heavy
Duty



AASHTO
M306



ASTM
A48



Gray Iron
Class 35B