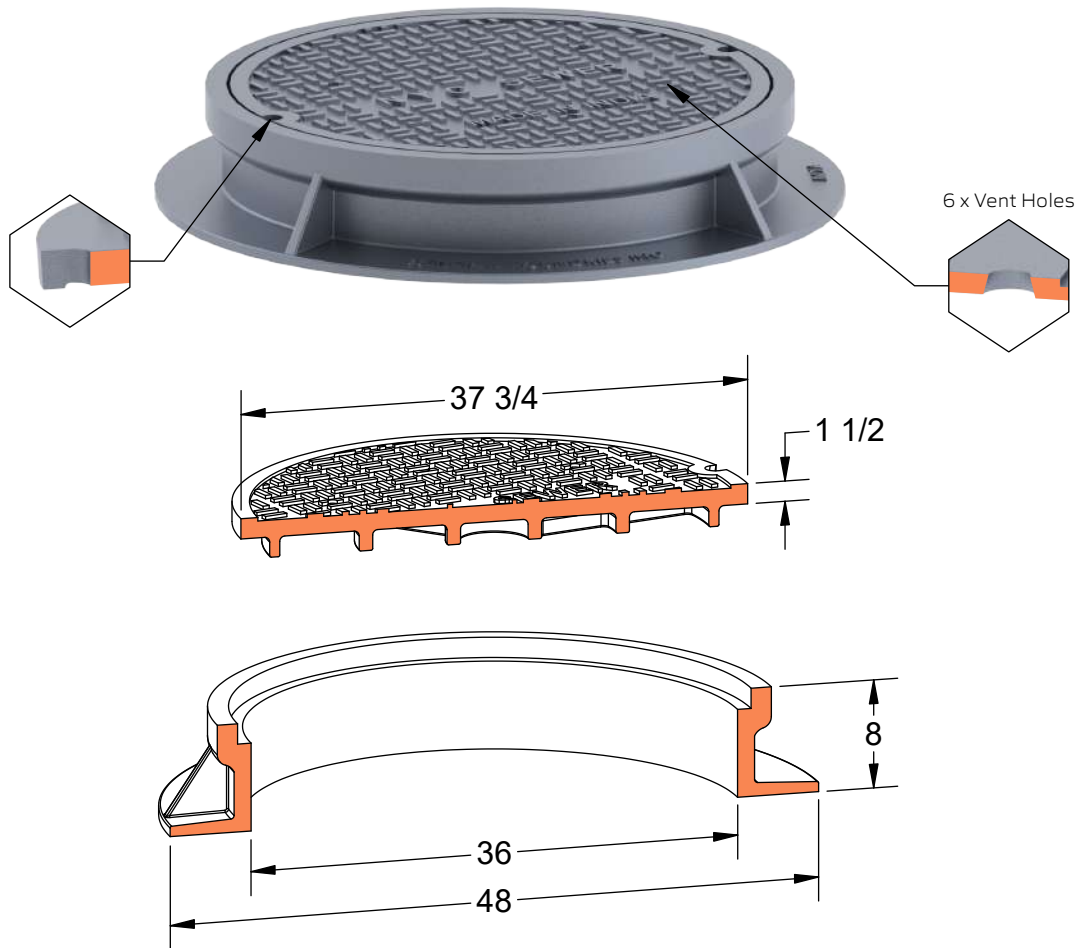


**PRODUCT #13685**

36" Cleanout Frame & Cover



**Available Markings**

NYC Sewer

**Notes**

Conforms to NYCDEP STD. DWG. SE41



Heavy Duty



AASHTO M306



ASTM A48



Gray Iron Class 35B