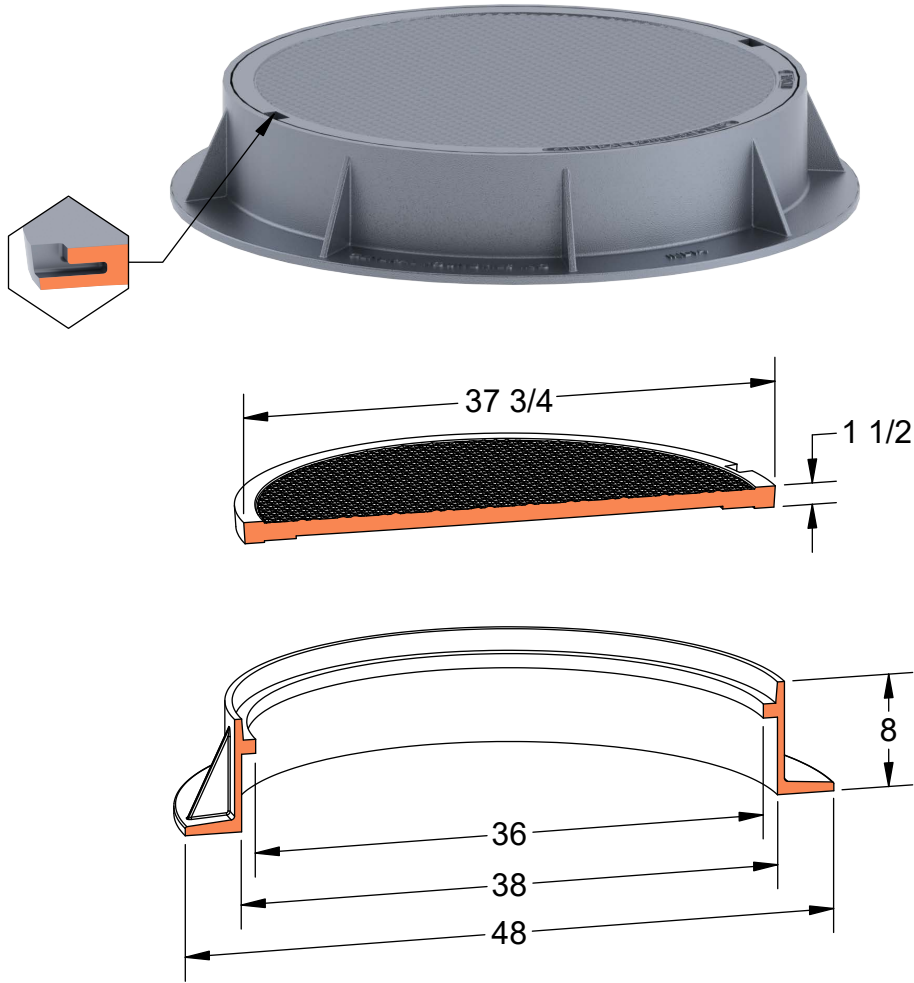


PRODUCT #13681

37-3/4" x 8" Frame & Cover



Available Markings

- Communication
- Drain
- Electric
- Plain
- Sewer
- Steam
- Telephone



Heavy Duty



AASHTO M306



ASTM A48



Gray Iron Class 35B



Grates Available