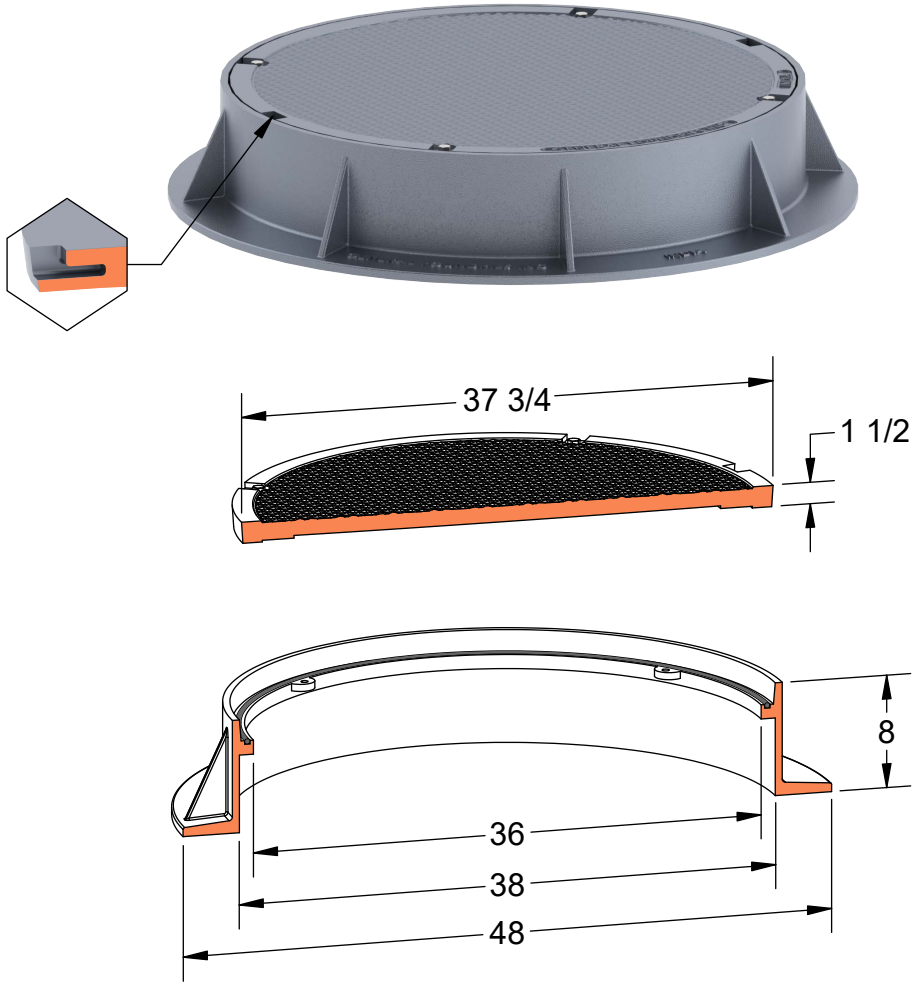


**PRODUCT #13681-WT**  
37-3/4" x 8" Watertight Frame & Cover



**Available Markings**

Plain  
Sewer



Heavy Duty



AASHTO M306



ASTM A48



Gray Iron Class 35B



Bolted



Gasket



Watertight