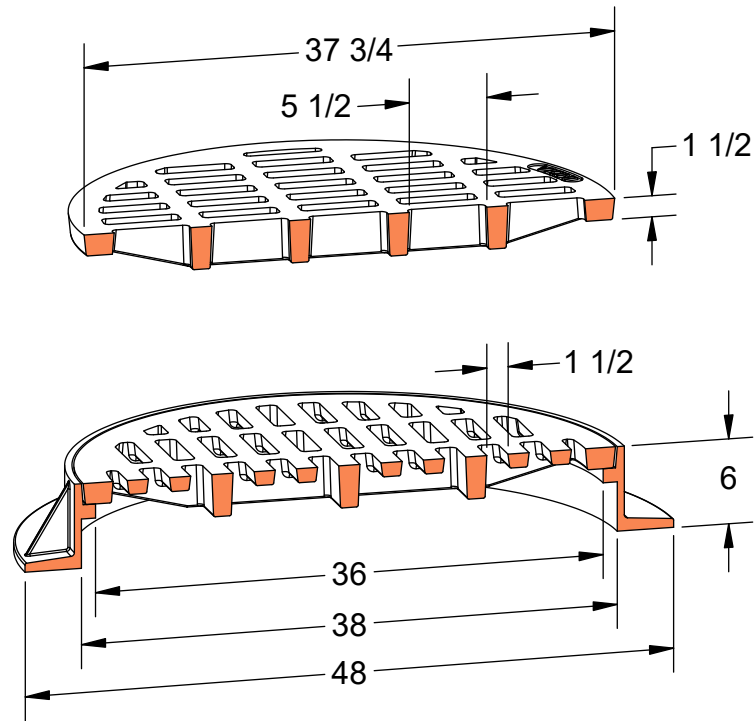


PRODUCT #13662-SLT
37-3/4" x 6" Frame & Grate



Flow Area
~345 in²

- HD** Heavy Duty
- M306** AASHTO M306
- A48** ASTM A48
- 35B** Gray Iron Class 35B
-  Solid Cover Available