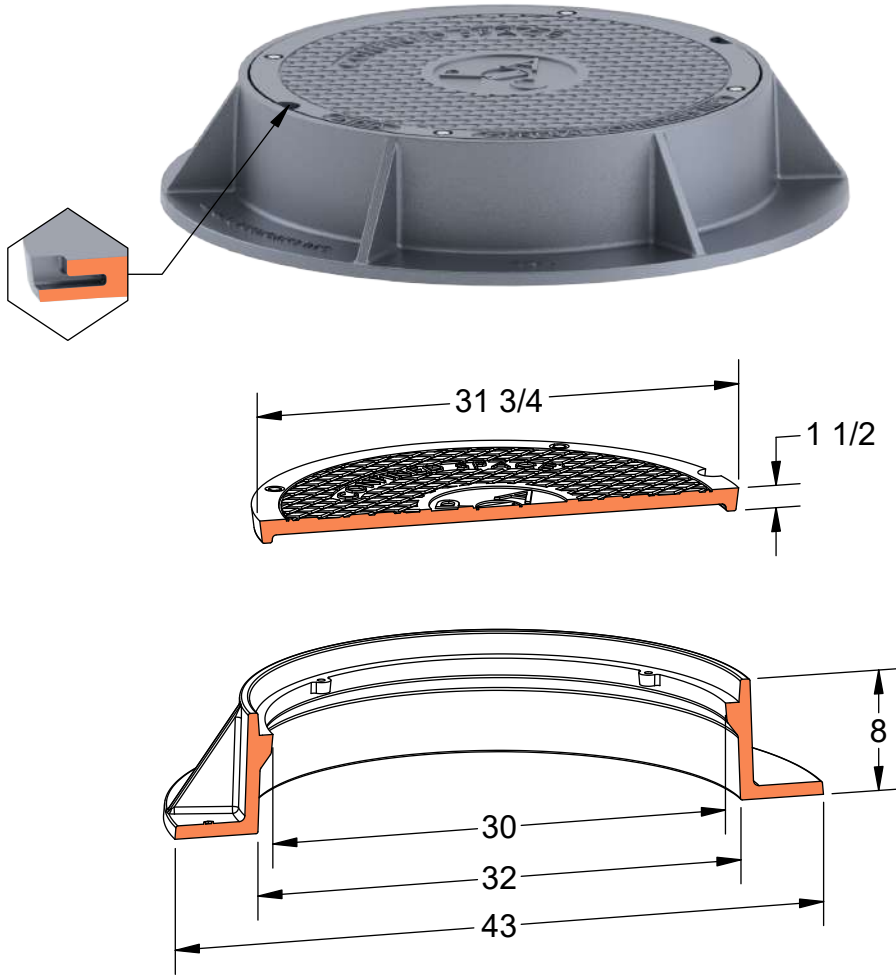


**PRODUCT #13286PA**

Port Authority 31-3/4" x 8" Bolted Frame & Cover



**Available Markings**

PAC

PAD

PAE

PAS (with additional lugs for aluminum silt bucket)

PAW



Heavy  
Duty



AASHTO  
M306



ASTM  
A48



Gray Iron  
Class 35B



Bolted