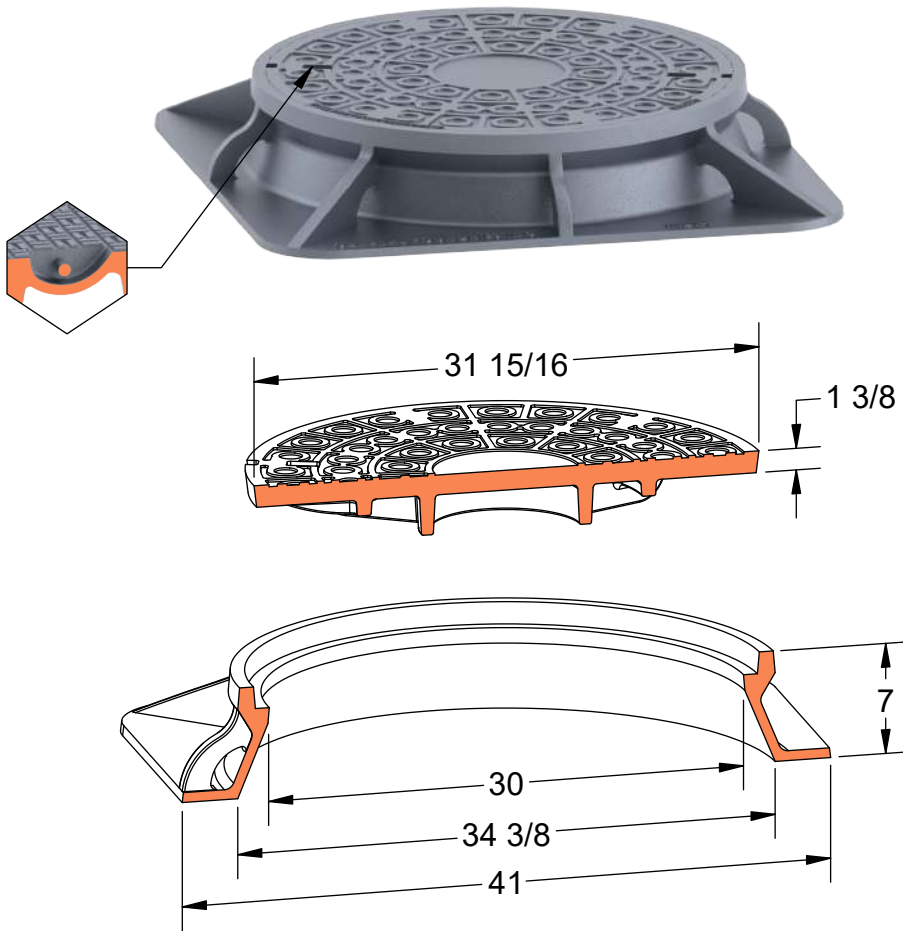


PRODUCT #13273

Q87 Utility Frame & Cover



Available Markings

Communication
Con Edison
DEP Communication
DEP Electric
Electric



Heavy
Duty



AASHTO
M306



ASTM
A48



Gray Iron
Class 35B