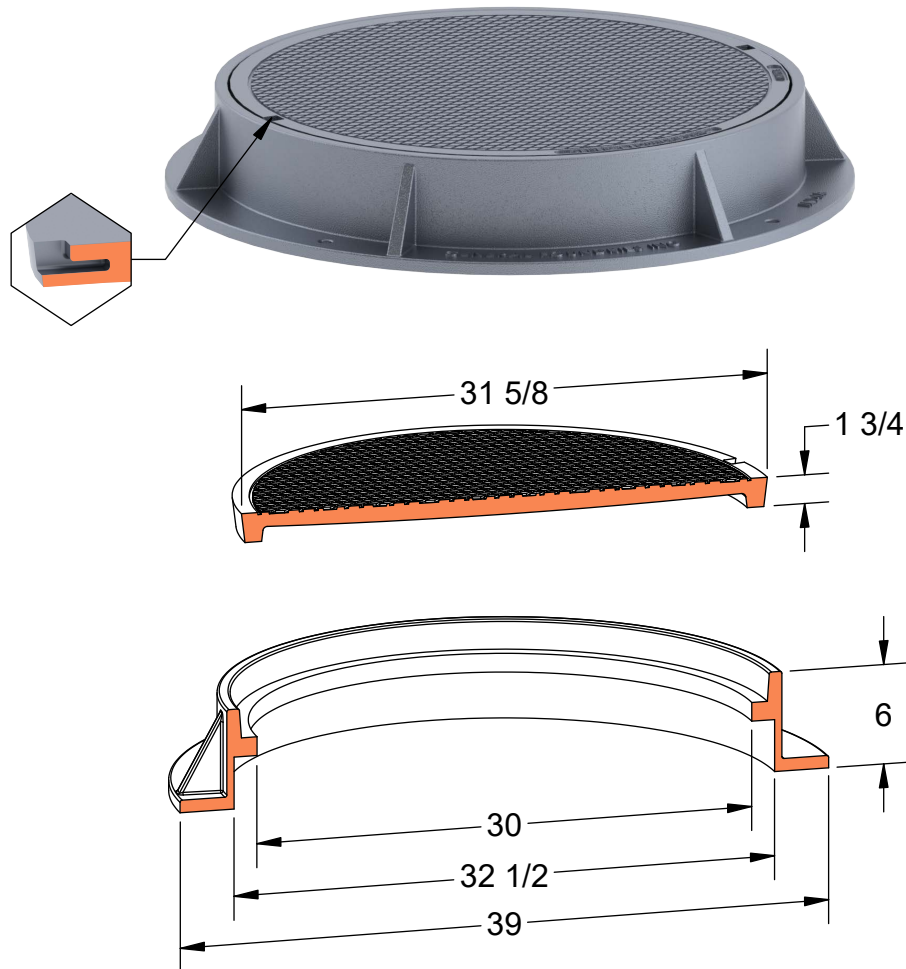


**PRODUCT #13261**

New Hampshire Standard 31-5/8" x 6" Frame & Cover



**Available Markings**

- CMP
- Communications
- Drain
- Electric
- Plain
- Sewer
- Steam
- Storm
- Telephone
- Water



Heavy Duty



AASHTO M306



ASTM A48



Gray Iron Class 35B



Grates Available



Risers Available