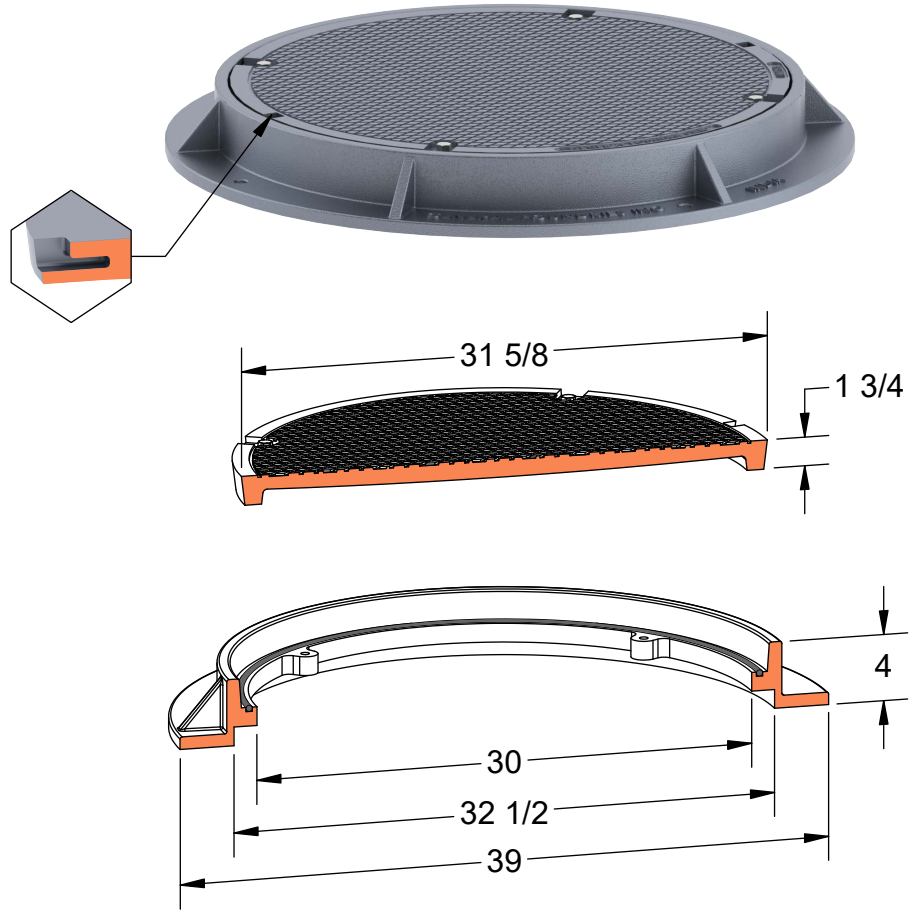


**PRODUCT #13251-WT**

New Hampshire Standard 31-5/8" x 4" Watertight Frame & Cover



**Available Markings**

- Drain
- Electric
- Gas
- Plain
- Sewer
- Storm
- Storm Drain
- Water



Heavy Duty



AASHTO M306



ASTM A48



Gray Iron Class 35B



Bolted



Gasket



Watertight