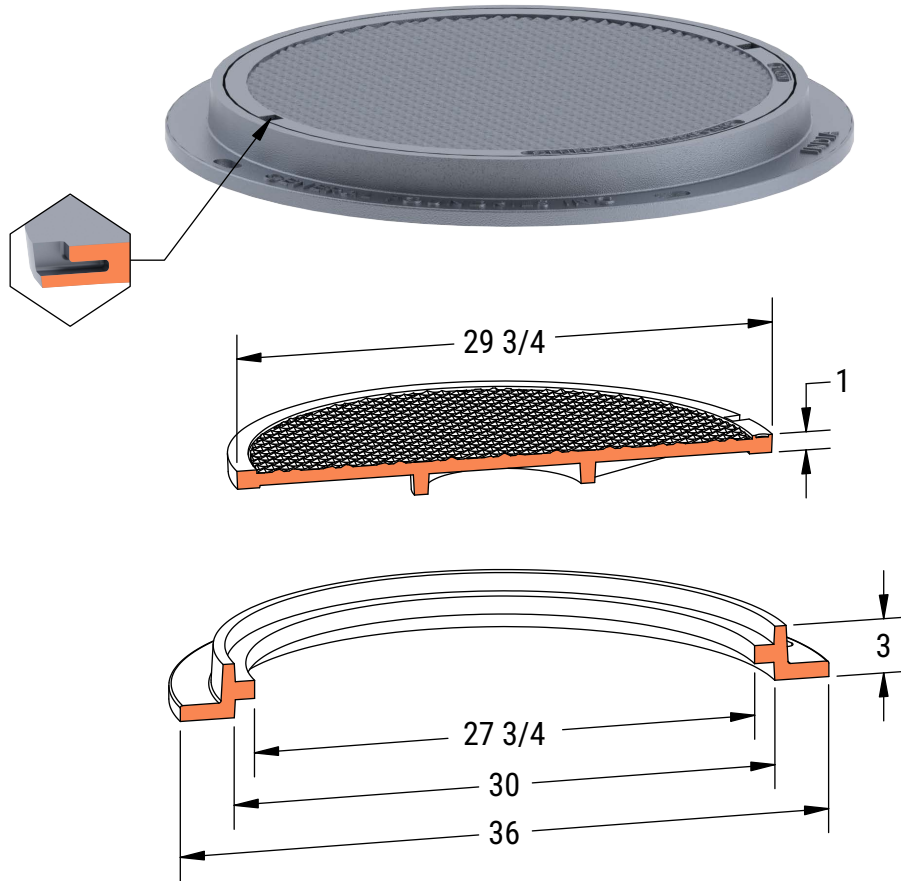


PRODUCT #13031
30" x 3" Frame & Cover



Available Markings
Plain



Light
Duty



ASTM
A48



Gray Iron
Class 35B



Reversible