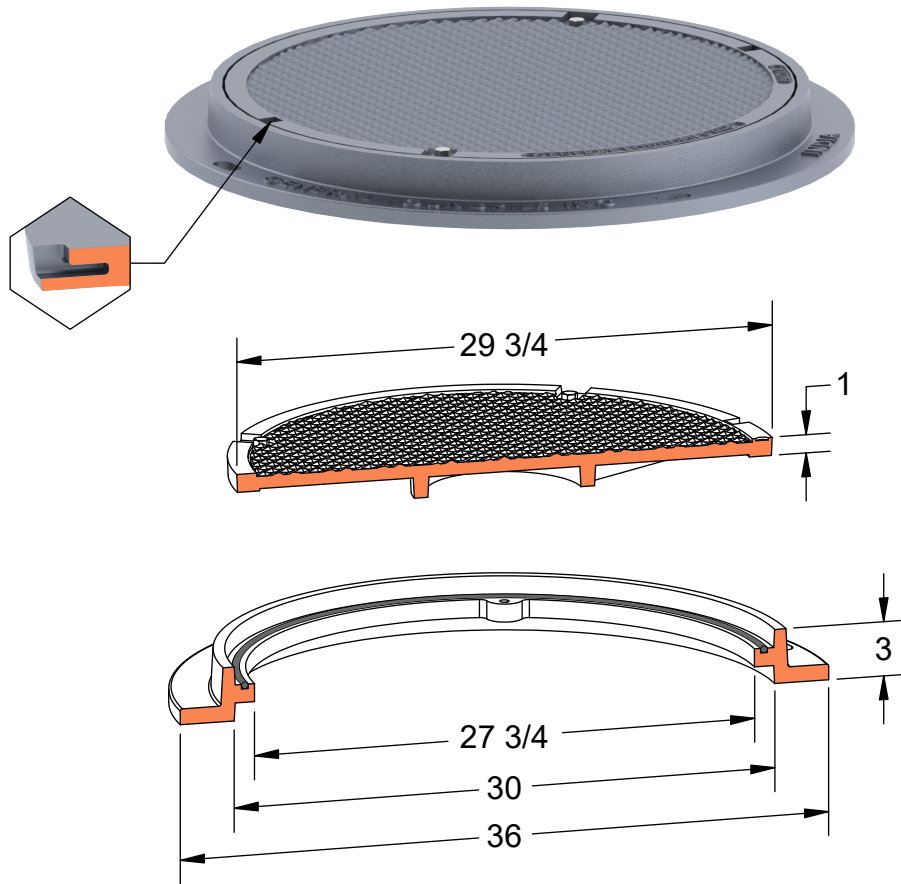


PRODUCT #13031-WT

30" x 3" Watertight Frame & Cover



Available Markings
Plain



Light
Duty



ASTM
A48



Gray Iron
Class 35B



Bolted



Gasket



Watertight