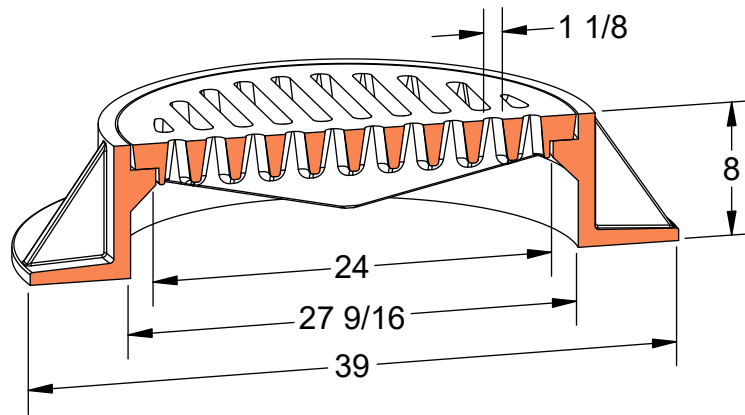
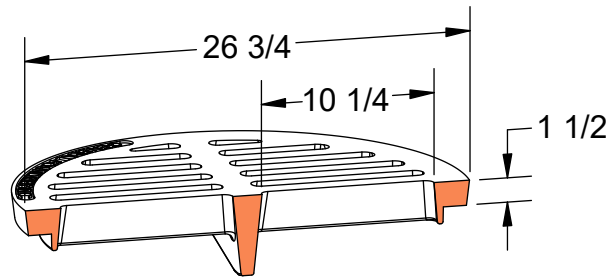


PRODUCT #12782-SLT
26-3/4" x 8" Frame & Grate



Flow Area
~165 in²

Notes

Conforms to NYCDEP STD DWG SE39A



Heavy Duty



AASHTO M306



ASTM A48



Gray Iron Class 35B



Grates Available



Solid Cover Available



Risers Available