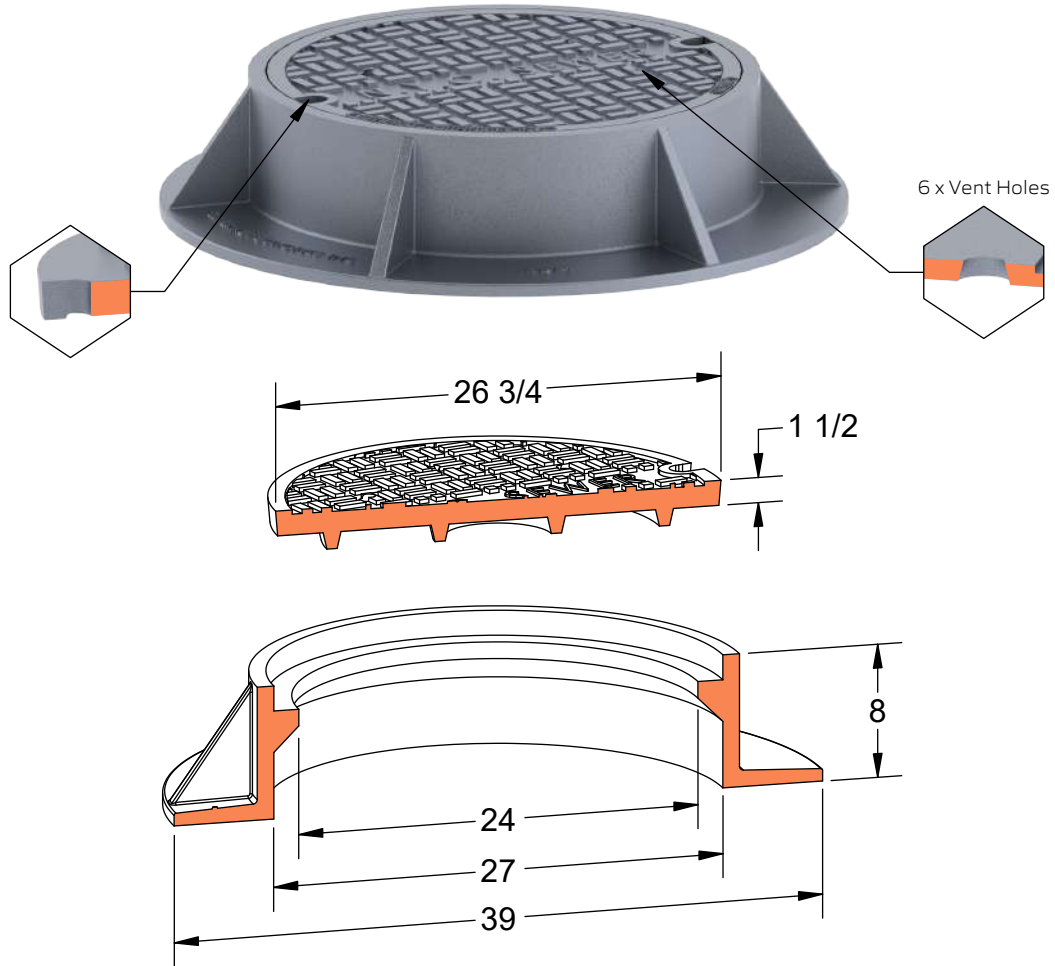


**PRODUCT #12781**

26-3/4" x 8" Frame & Cover



**Available Markings**

- COY Drain
- COY Sewer
- COY Water
- NYC Sewer
- Plain
- Sewer

**Notes**

Conforms to NYCDEP STD. DWG. SE39



Heavy Duty



AASHTO M306



ASTM A48



Gray Iron Class 35B



Risers Available



Grates Available