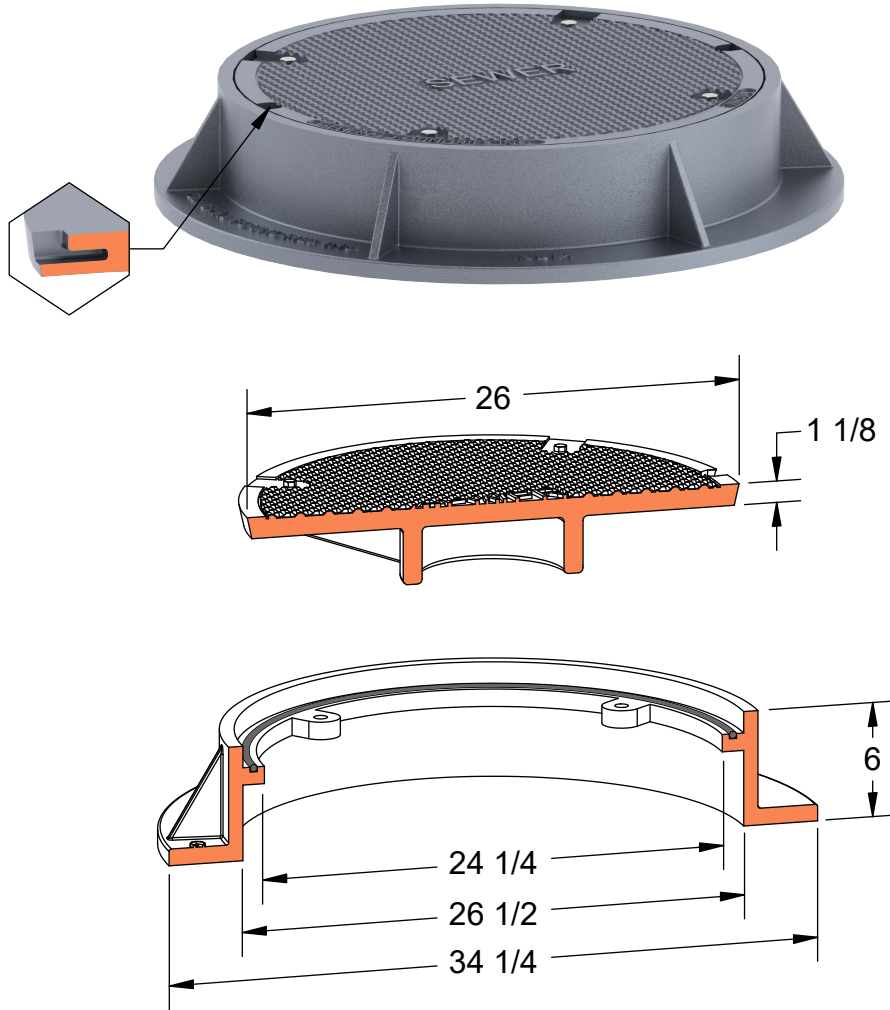


PRODUCT #12665-WT

Massachusetts Standard 26" x 6" Watertight Frame & Cover



Available Markings

- Drain
- Plain
- Sewer



Heavy Duty



AASHTO M306



ASTM A48



Gray Iron Class 35B



Bolted



Gasket



Watertight