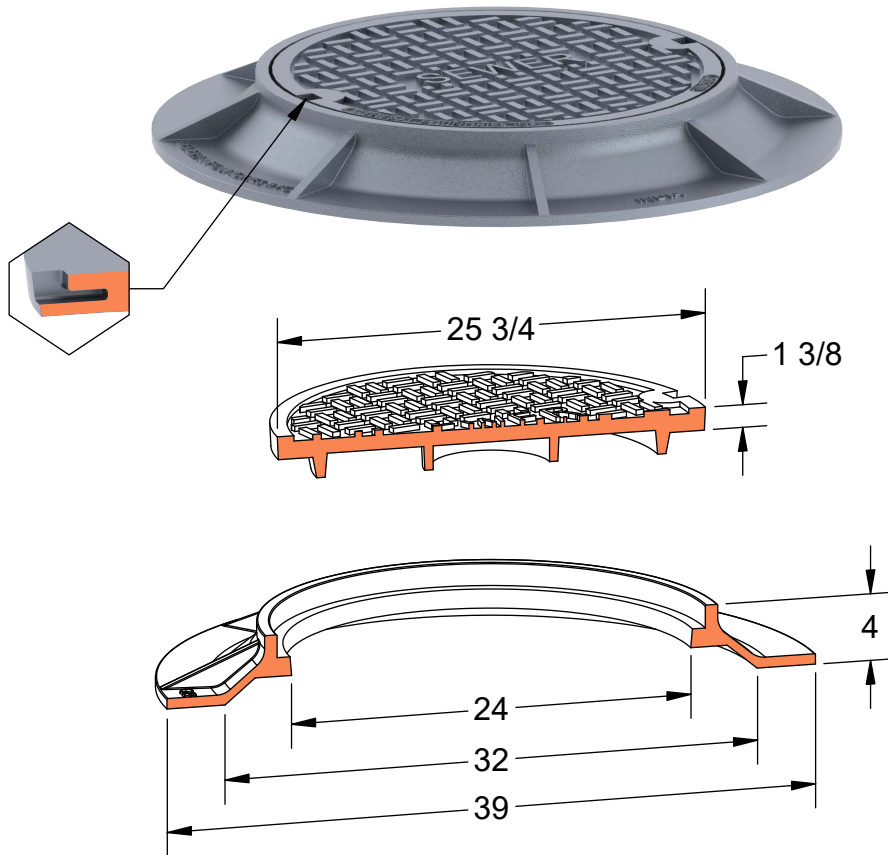


PRODUCT #12643

25-3/4" x 4" Frame & Cover



Available Markings

- Drain
- Plain
- Sanitary Sewer
- Sewer
- Storm
- Storm Sewer

Options

Gasketed Cover
(12643-GSK)



Heavy
Duty



AASHTO
M306



ASTM
A48



Gray Iron
Class 35B



Grates
Available



Risers
Available