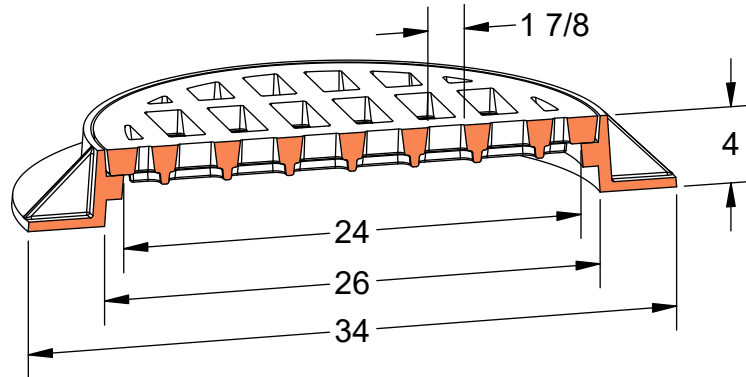
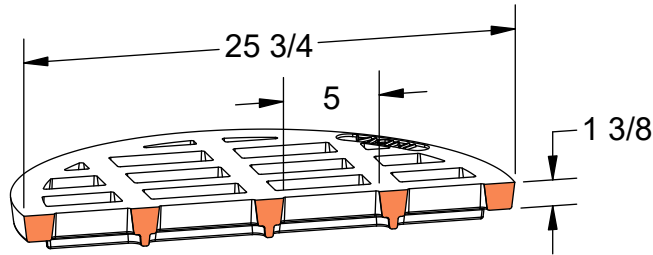
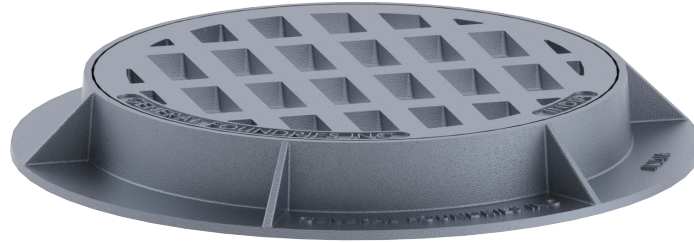


PRODUCT #12642-SLT  
25-3/4" x 4" Frame & Grate



Flow Area  
~175 in<sup>2</sup>



Heavy Duty



AASHTO M306



ASTM A48



Gray Iron Class 35B



Reversible



Solid Cover Available



Risers Available