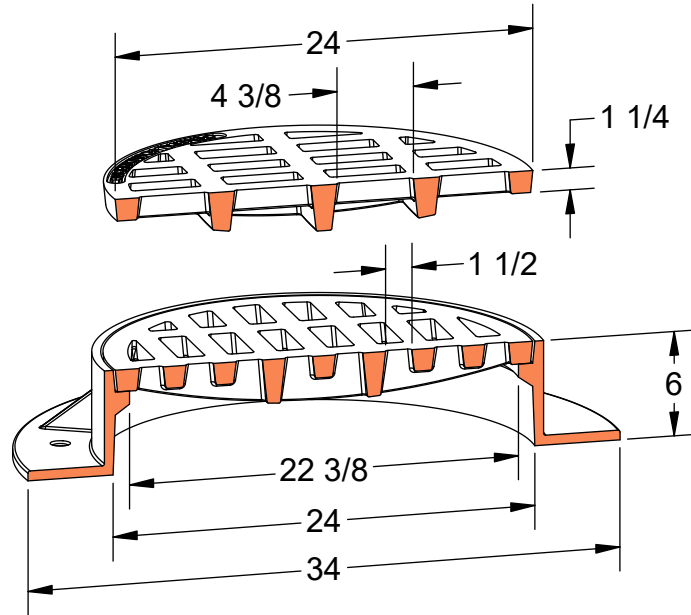


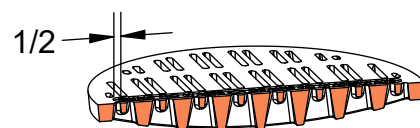
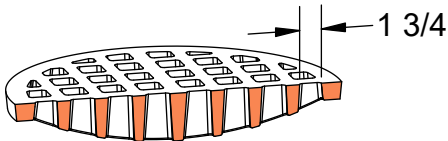
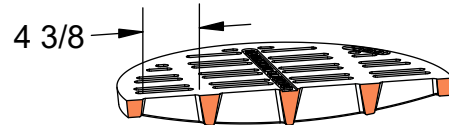
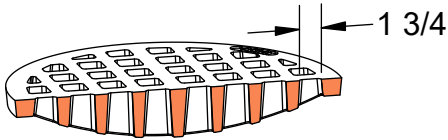
**PRODUCT #12462-SLT**  
24" x 6" Frame & Grate



**12462-SQH**

**Flow Area**  
~150 in<sup>2</sup>

**12462-ADA**



**Flow Area**  
~140 in<sup>2</sup>

**Flow Area**  
~95 in<sup>2</sup>



Heavy Duty



AASHTO M306



ASTM A48



Gray Iron Class 35B



Solid Cover Available



Risers Available



ADA Compliant