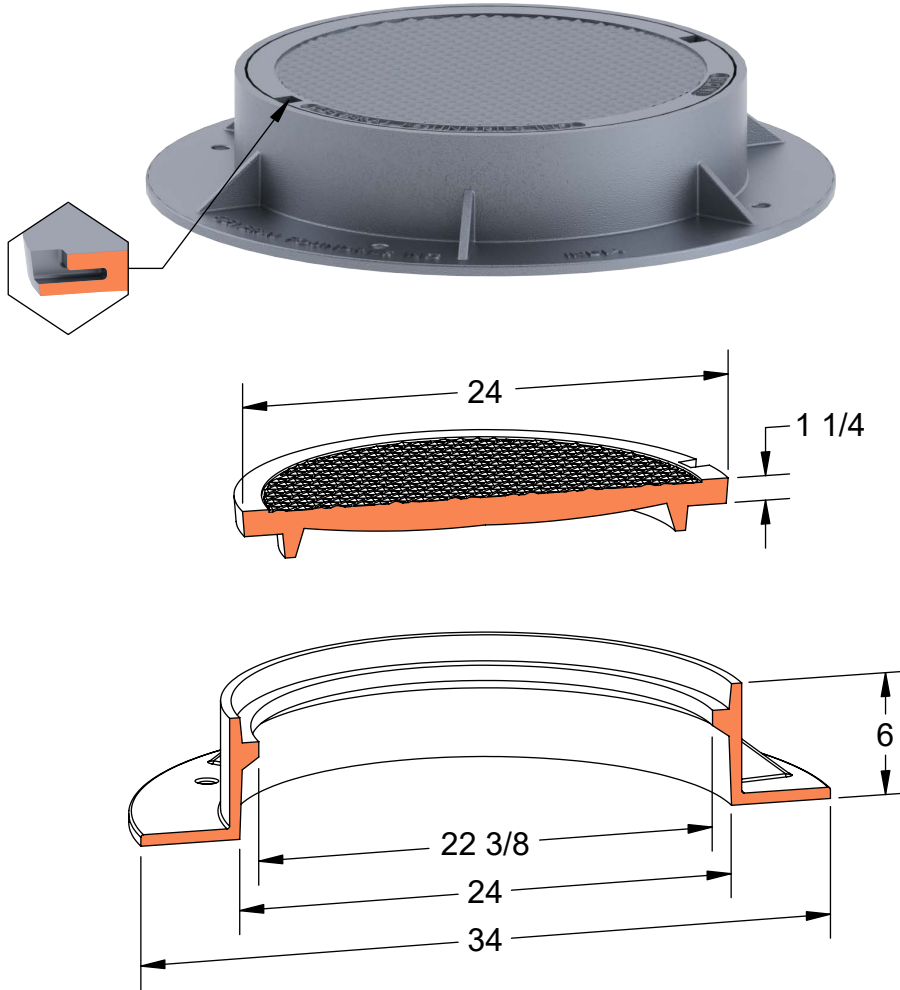


**PRODUCT #12461**

24" x 6" Frame & Cover



**Available Markings**

- Communication
- Drain
- Electric
- Gas
- Plain
- Sewer
- Storm
- Telephone
- Water



Heavy Duty



AASHTO M306



ASTM A48



Gray Iron Class 35B



Grates Available



Risers Available