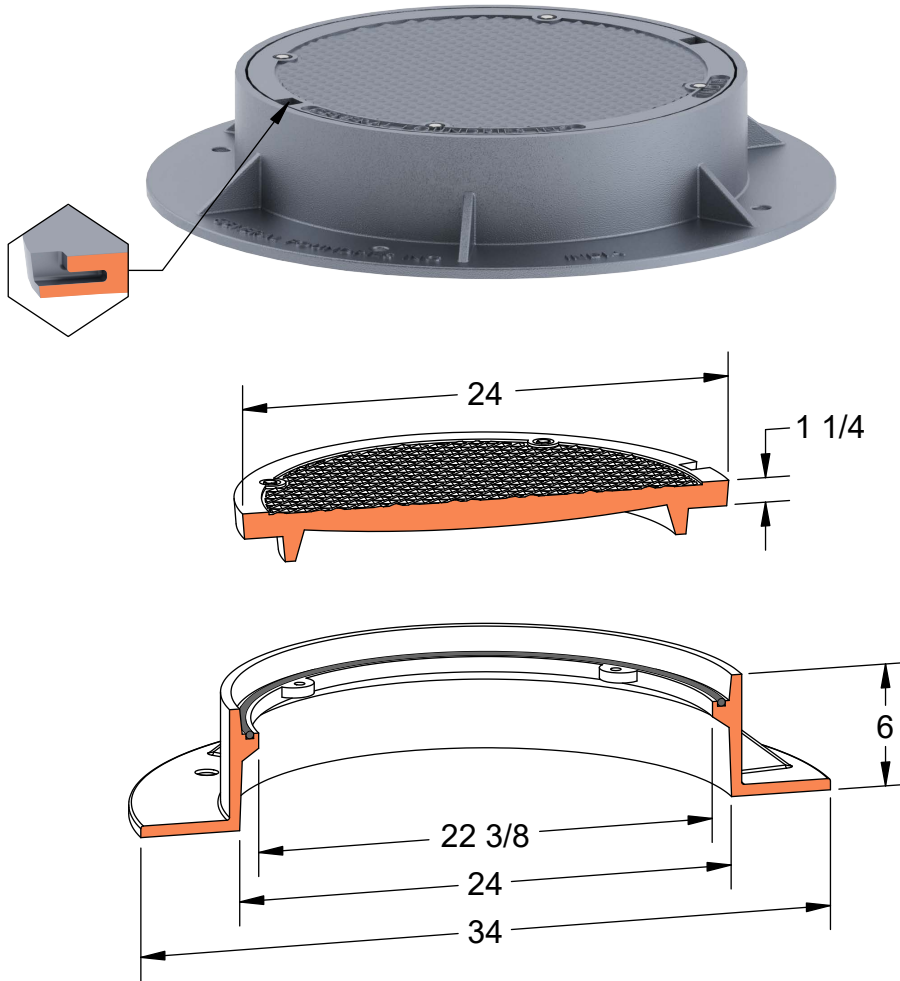


**PRODUCT #12461-WT**

24" x 6" Watertight Frame & Cover



**Available Markings**

- Drain
- Gas
- Plain
- Sewer



Heavy Duty



AASHTO M306



ASTM A48



Gray Iron Class 35B



Bolted



Gasket



Watertight