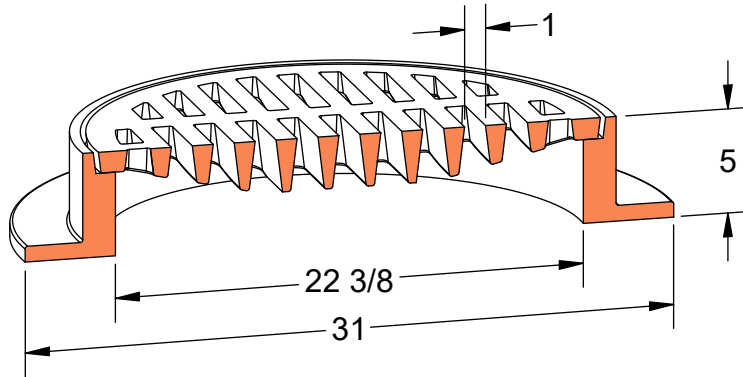
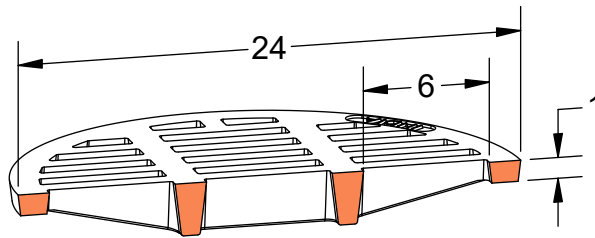


**PRODUCT #12452-SLT**  
Portland 24" x 5" Frame & Grate



**Flow Area**  
~150 in<sup>2</sup>



Heavy Duty



AASHTO M306



ASTM A48



Gray Iron Class 35B



Solid Cover Available