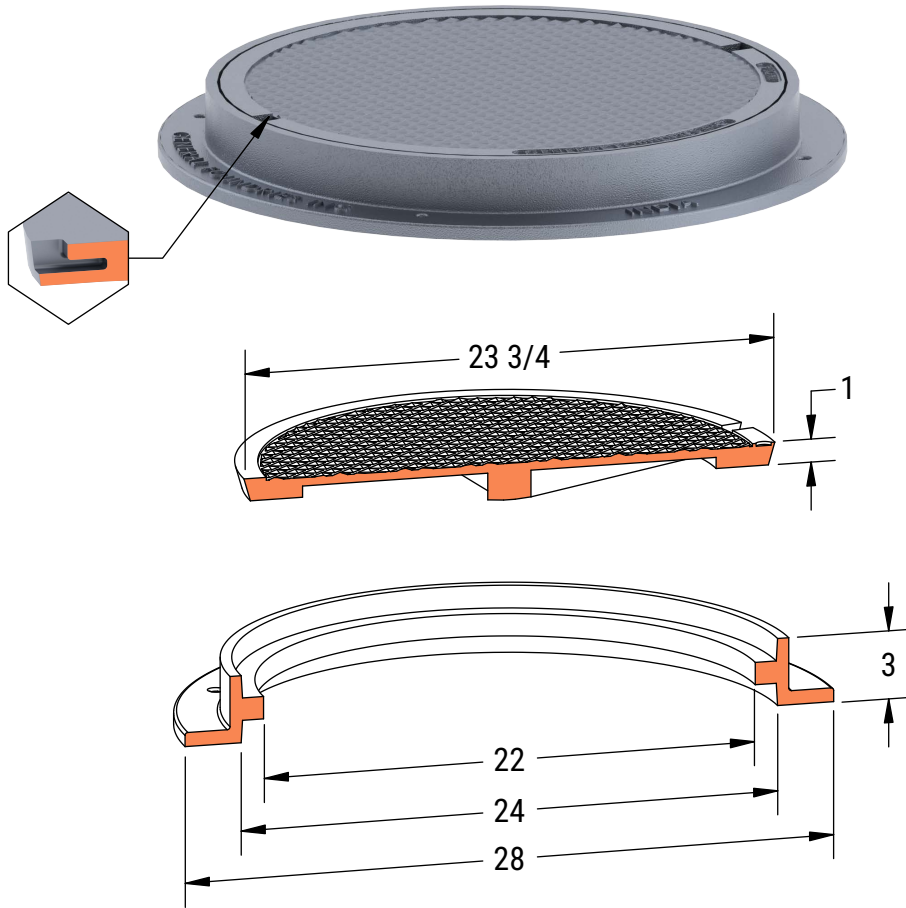


PRODUCT #12431
24" x 3" Frame & Cover



Available Markings

- Drain
- Plain
- Septic
- Sewer



Light
Duty



ASTM
A48



Gray Iron
Class 35B



Reversible



Grates
Available