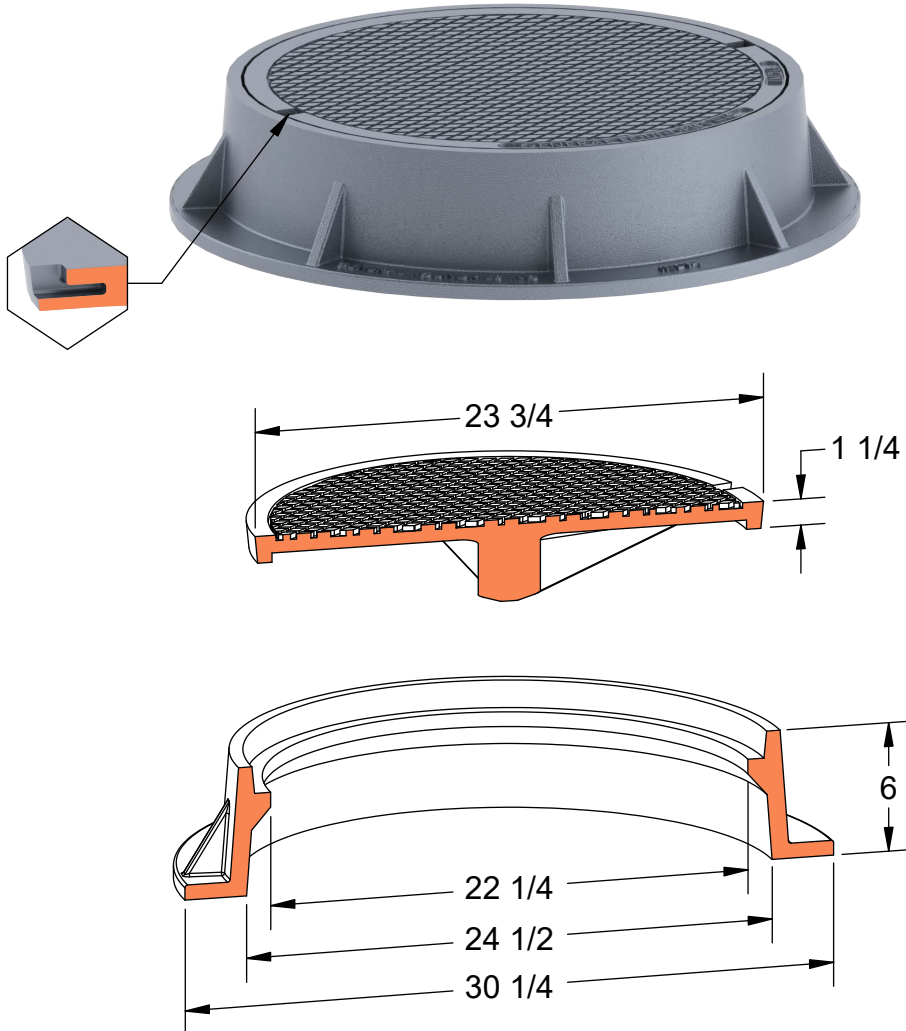


PRODUCT #12361

23-3/4" x 6" Frame & Cover



Available Markings

- Grease
- Sanitary Sewer
- Sewer
- Storm
- Water



Heavy
Duty



AASHTO
M306



ASTM
A48



Gray Iron
Class 35B