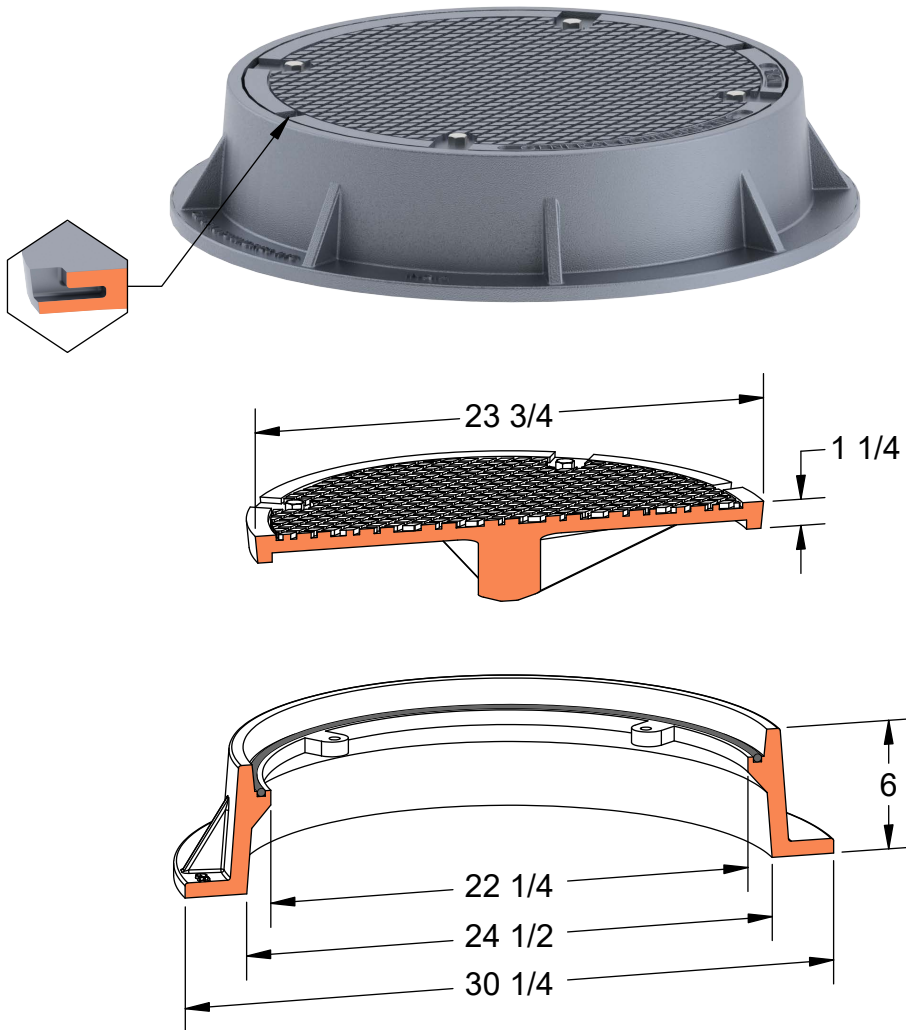


PRODUCT #12361-WT

23-3/4" x 6" Watertight Frame & Cover



Available Markings

- Grease
- Sanitary Sewer
- Sewer
- Storm
- Water



Heavy Duty



AASHTO M306



ASTM A48



Gray Iron Class 35B



Bolted



Gasket



Watertight