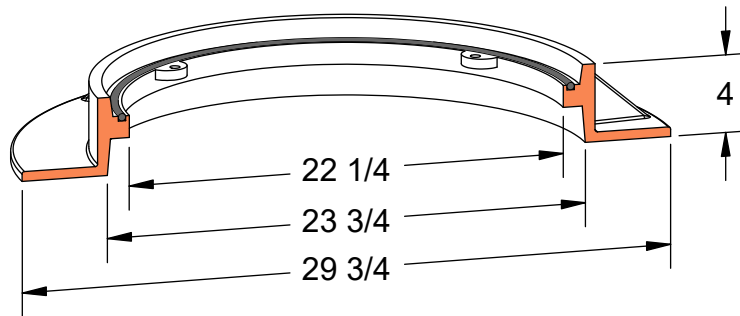
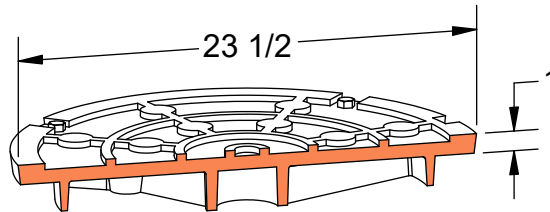


**PRODUCT #12341-WT**

23-1/2" x 4" Watertight Frame & Cover



**Available Markings**

- Plain
- Sanitary Sewer
- Storm Sewer
- Water



Heavy Duty



AASHTO M306



ASTM A48



Gray Iron Class 35B



Bolted



Gasket



Watertight