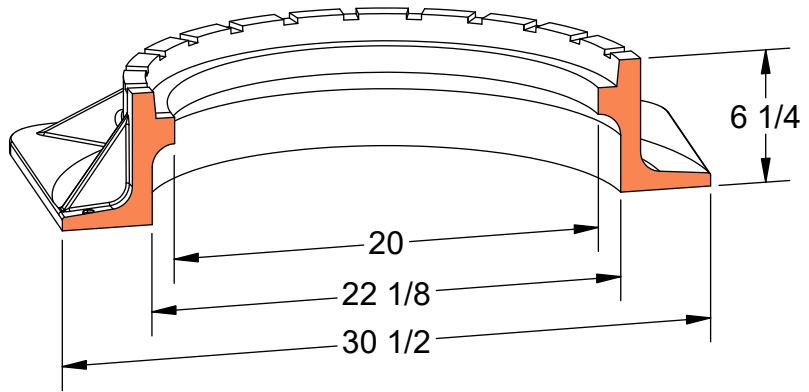
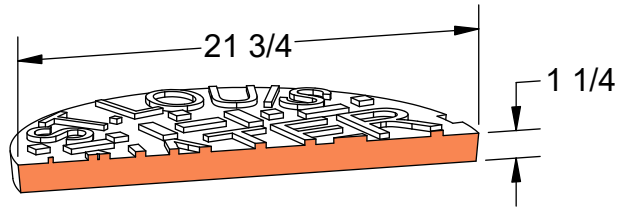


PRODUCT #12161

St. Louis B-329 Frame & A-396 Cover



Available Markings
City of St. Louis, Water Division



Heavy Duty



AASHTO M306



ASTM A48



Gray Iron Class 35B