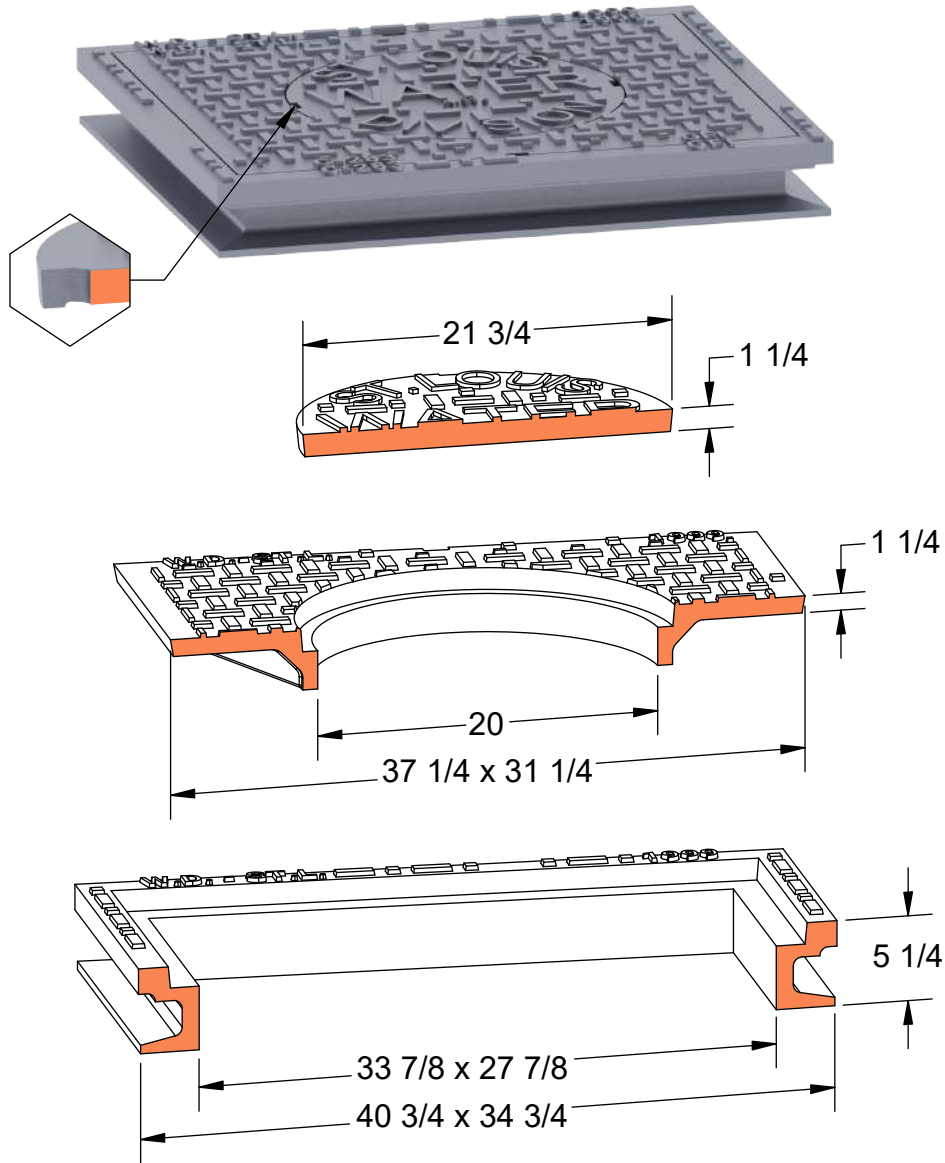


PRODUCT #12151

St. Louis C-283 Duo Frame & A-396 Cover



Available Markings
City of St. Louis, Water Division



Heavy Duty



AASHTO M306



ASTM A48



Gray Iron Class 35B