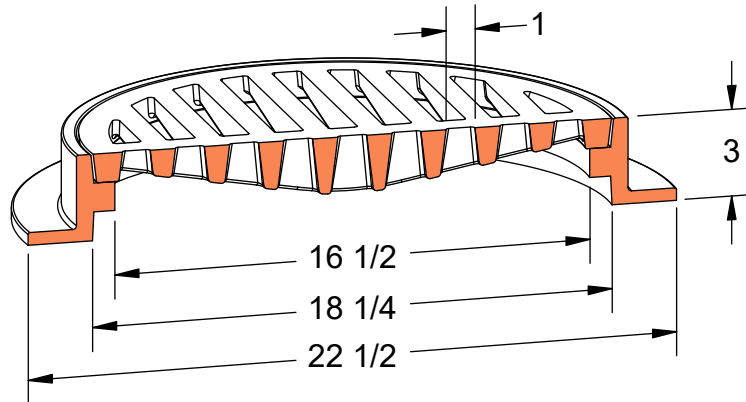
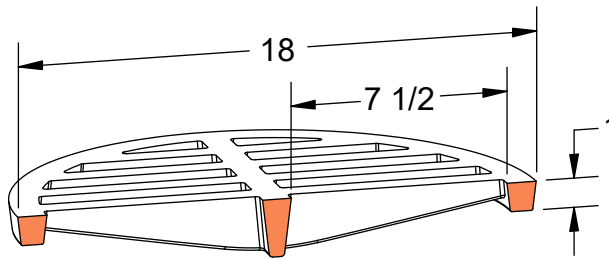


**PRODUCT #11832-SLT**  
18" x 3" Frame & Grate



**Flow Area**  
~100 in<sup>2</sup>



Light  
Duty



ASTM  
A48



Gray Iron  
Class 35B



Reversible



Solid Cover  
Available