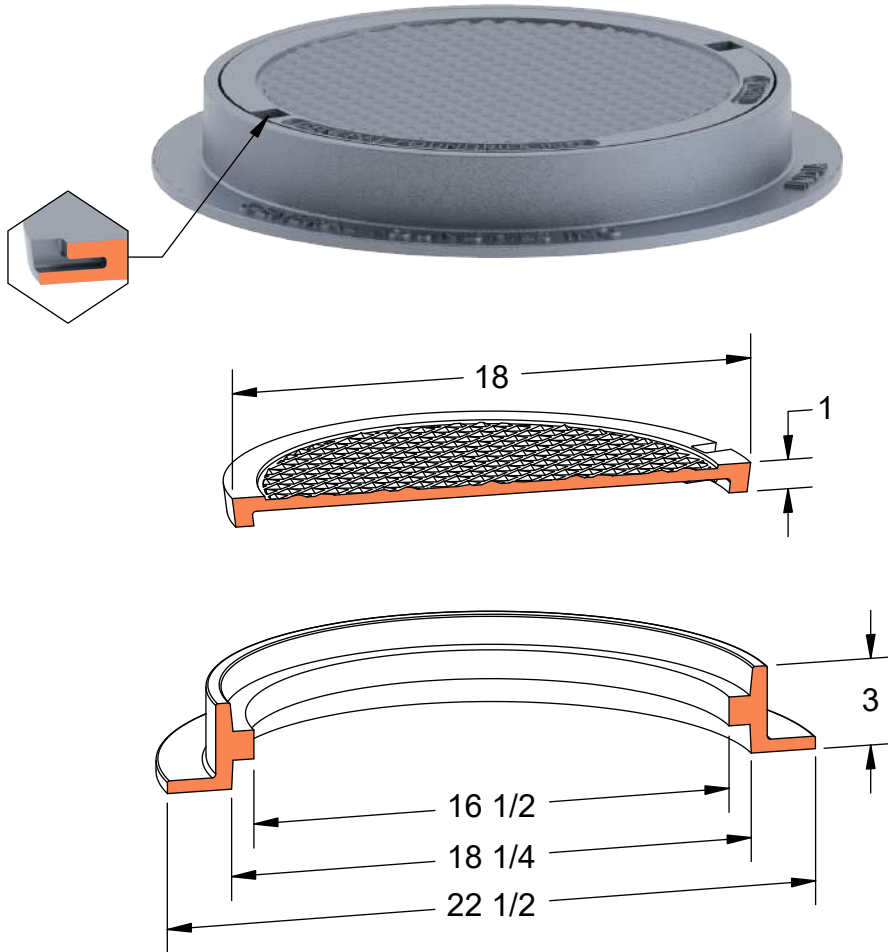


PRODUCT #11831

18" x 3" Frame & Cover



Available Markings

- Drain
- Electric
- Plain
- Sewer



Light
Duty



ASTM
A48



Gray Iron
Class 35B



Reversible



Grates
Available