

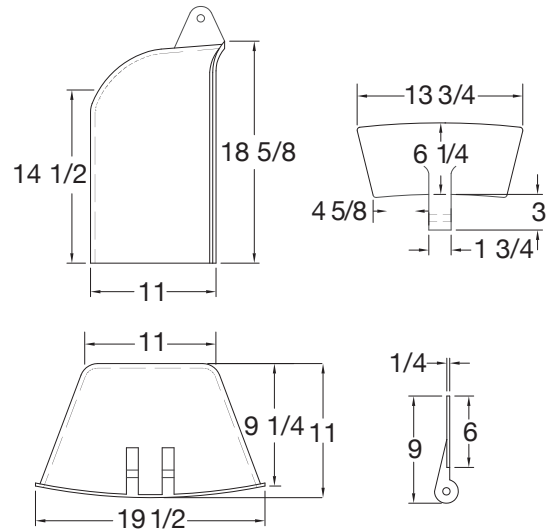
PRODUCT NO.	A	B	C	PIPE OD
22561	10	16	5	6, 8
22563	15-3/4	26	7-1/4	10, 12
22564	18	27	9	12, 15
22565	20	27	10	18

**NOTES:**

- Dimensions are approximate & in inches
- Gray Iron, Class 30B
- Conforms to ASTM A48 / A48M-03 specifications
- \* Please specify if required in Class 35B or Ductile Iron
- 2 hooks are required to install each hood



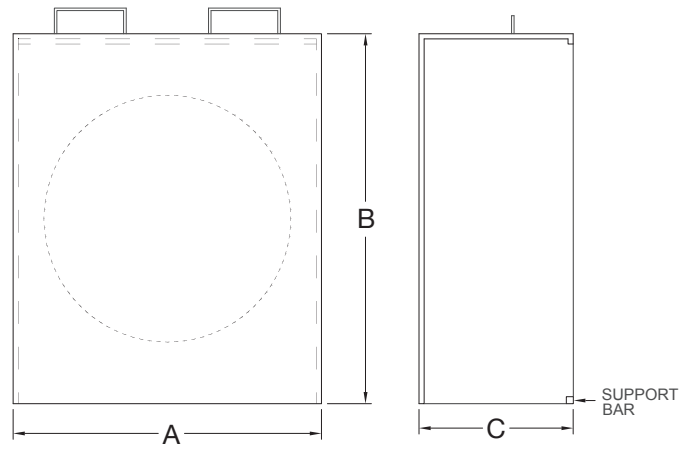
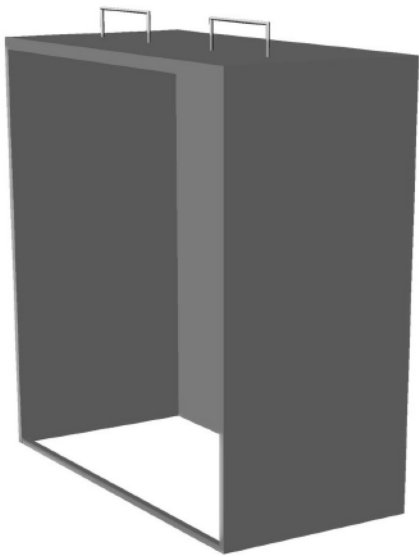
Mass Trap With Flap



PRODUCT NO.	PIPE OD
MATRP	12, 15

NOTES:

- Dimensions are approximate & in inches
- Gray Iron, Class 30B
- Conforms to ASTM A48 / A48M-03 specifications
- \* Please specify if required in Class 35B or Ductile Iron

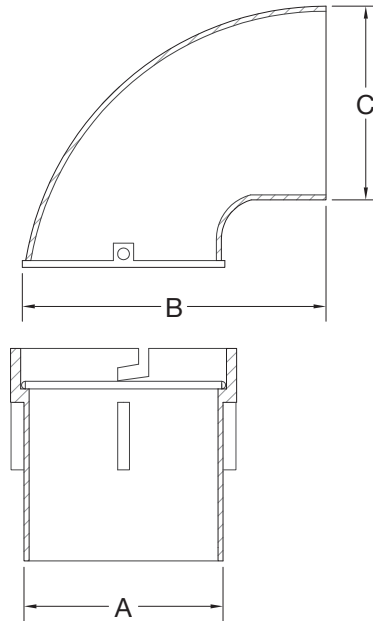


PRODUCT NO.	A	B	C	PIPE OD
FBT24	30	36	15	24
FBT30	36	42	20	30

**NOTES:**

- Dimensions are approximate & in inches
- Conforms to ASTM A36
- Coating: Painted black or galvanized (please specify)





PRODUCT NO.	A	B	C	PIPE OD
OGT08	7-1/4	14	7-1/4	8
OGT12	11-1/4	18	11-1/4	12
OGT18	14-1/4	22-1/2	14-1/4	15

**NOTES:**

- Dimensions are approximate & in inches
- Gray Iron, Class 30B
- Conforms to ASTM A48 / A48M-03 specifications
- \* Please specify if required in Class 35B or Ductile Iron